

**SPEC SHEET**  
**LC201**

Interchangeable with  
**Model TH-UMM3**

# SUBMINIATURE TENSION / COMPRESSION LOAD CELL

**\$485**  
Model Shown

**LC201 Series**  
**Tension/Compression**  
**Calibrated in Tension**

**0-25 to 0-300 lb**  
**0-100 to 0-1500 N**

1 Newton = 0.2248 lb  
1 daNewton = 10 Newtons  
1 lb = 454 g  
1 t = 1000 kg = 2204 lb

- ☑ **Subminiature Package for Robotic Applications, 0.75" (19mm) Diameters**
- ☑ **Dual Mounting Studs for Easy Installation**
- ☑ **5-Point NIST Calibration Provided**

The OMEGADYNE™ LC201 Series subminiature load cells are designed for the demanding environment of industrial automation and robotics. A diameter of only 0.75" (19mm) and all stainless steel, they can fit into small systems and survive harsh environments. The LC201 delivers high accuracy and long term reliability in a subminiature package.

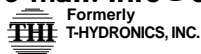
**For Sales and Service**  
**In U.S.A. and Canada**

**1-800-872-3963**  
**1-800-USA-DYNE**

International Customers Dial  
**(614) 965-9340**  
24-Hour FAX (614) 965-9438

**OMEGADYNE<sup>SM</sup> FAX**  
OMEGADYNE's 24-Hour  
On-Line Publishing Service  
**1-800-344-3963**  
**1-800-DIG-DYNE**  
Document # 3630

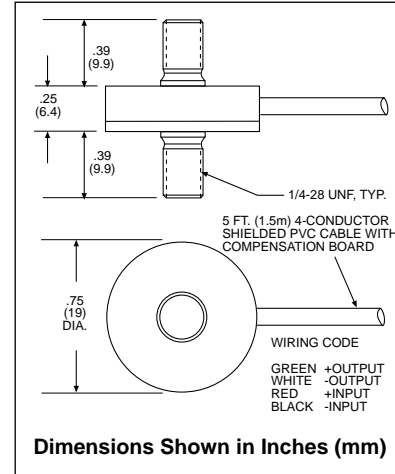
**OMEGADYNE, Inc.**  
149 Stelzer Court, Sunbury, OH 43074  
<http://www.omegadyne.com>  
e-mail: [info@omegadyne.com](mailto:info@omegadyne.com)



© COPYRIGHT 1996 OMEGADYNE, INC. ALL RIGHTS RESERVED.



**Model LC201-50**  
*Shown Actual Size*



**SPECIFICATIONS:**

**Output:** 2 mV/V  
**Excitation:** 10 Vdc, 15 Vdc max  
**Accuracy:** ±1.0% FSO Linearity, Hysteresis, Repeatability Combined  
**Calibrated at** 0%, 50%, 100%, 50%, 0%  
**Zero Balance:** ±2% FSO  
**Operating Temp Range:** -54 to 121°C (-65 to 250°F)  
**Compensated Temp. Range:** 16 to 71°C (60 to 160°F)

**Thermal Effects:**

Zero: 0.01% FSO/°F  
Span: 0.01% Rdg/°F  
**Safe Overload:** 150% of Capacity  
**Ultimate Overload:** 300% of Capacity  
**Input Resistance:** 360 ohms minimum  
**Output Resistance:** 350 ±5 ohms  
**Construction:** Stainless Steel  
**Electrical:** 5 ft (1.5m) 4-conductor shielded PVC cable with compensation board

➔ **Most Popular Models Highlighted** ←

*Prices Shown in U.S. Dollars*

<b>To Order: (Specify Model Number)</b>			
Capacity (lb)	Model Number	Price	Compatible Meters
±25	LC201-25	<b>\$485</b>	INFW, INFS, INFCS
±50	LC201-50	<b>485</b>	INFW, INFS, INFCS
±75	LC201-75	<b>485</b>	INFW, INFS, INFCS
±100	LC201-100	<b>485</b>	INFW, INFS, INFCS
±300	LC201-300	<b>485</b>	INFW, INFS, INFCS

Interchangeable with Model TH-UMM3      Metric Ranges Available -Consult Engineering  
**Ordering Examples:** 1.) LC201-25 is a 25 lb capacity subminiature universal load cell, **\$485**.  
2.) LC201-100 is a 100 lb capacity subminiature universal load cell, **\$485**.

Printed On Recycled Paper

